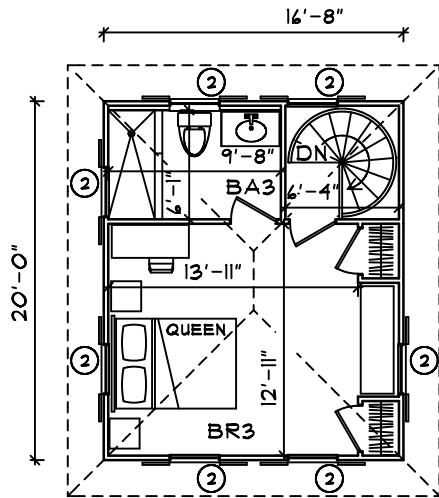
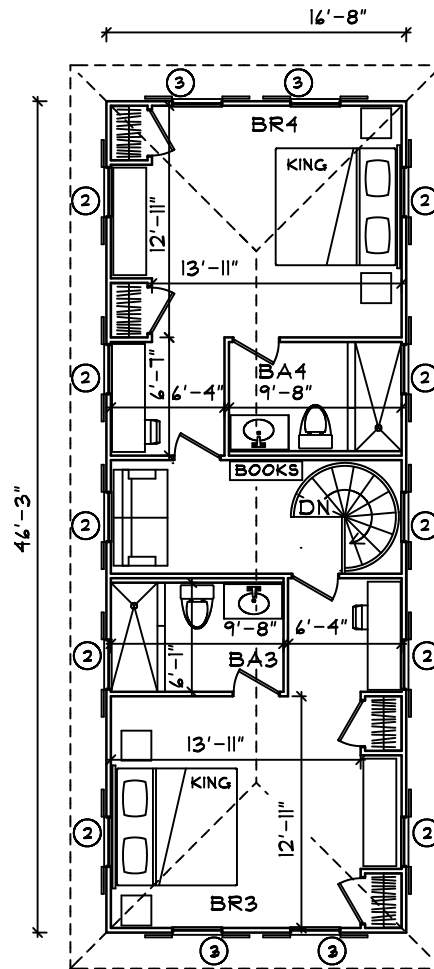


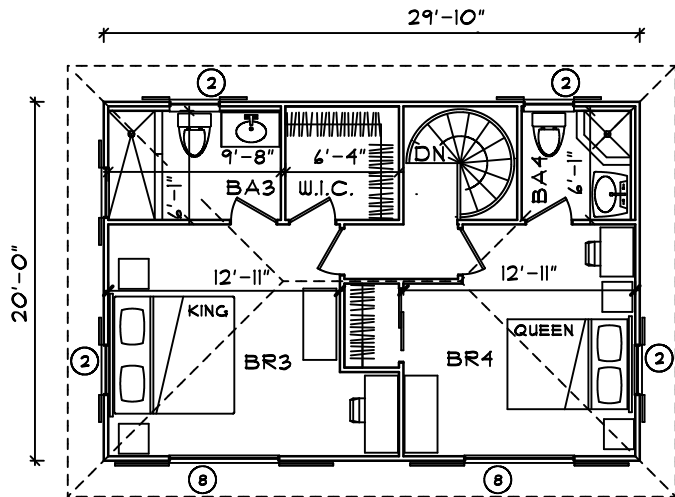
UPPER FLOOR PLAN 1



UPPER FLOOR PLAN 2



UPPER FLOOR PLAN 3



UPPER FLOOR PLANS

FORCE 10 ENGINEERED BUILDING SYSTEM

- Hurricane & Earthquake Resistant
- Fire, Rot & Mildew Resistant
- Insulated Walls & Roof for Energy Efficiency
- High Quality, Low Maintenance Materials
- Custom Designed Floor Plans for any Site

Force 10 Floor System:

Pre-cut & pre-drilled galvanized steel joists and bearers bolted to galvanized steel columns which are cast into concrete footings. Fibercement-board, particle-board, plywood subfloor or hardwood planks are secured to galvanized steel framing with screws.

Force 10 Wall Panel System:

3" thick galvanized steel and fibercement-board stress skin panels with fire-retardant polyurethane foam in wall cavity (R18). Wall panel is bolted to Force 10 floor system (or concrete floor slab) with galvanized steel hex head bolts at 39" on center.

Force 10 Roof System:

Pre-cut & pre-drilled galvanized steel roof truss components are assembled quickly on site and secured to panels with galvanized steel bolts at 39" on center. Galvanized steel purlins and pre-painted Galvalume roof sheathing are screwed to trusses. Pre-painted Galvalume fascia and gutter, radiant barrier insulation & fibercement-board soffits are supplied to complete the roof.

WINDOW SCHEDULE

Symbol	Type	Size	Notes	Supplier
2	Double Hung	2/8 X 3/0	Screen	Force 10
3	Double Hung	2/8 X 4/0	Screen	Force 10
7	Double Hung	6/0 X 3/0	Screen	Force 10
8	Double Hung	6/0 X 4/0	Screen	Force 10

CALCULATIONS

BOTH FLOORS

Ground Floor Interiors	1319 Square Feet
Ground Floor Covered Deck	482 Square Feet
Upper Floor Plan 1	<u>332</u> Square Feet
TOTAL w/ Up. Floor Plan 1	2193 Square Feet
Upper Floor Plan 2	769 Square Feet
TOTAL w/ Up. Floor Plan 2	2630 Square Feet
Upper Floor Plan 3	594 Square Feet
TOTAL w/ Up. Floor Plan 3	2455 Square Feet

INNOVATIVE BUILDERS

www.force-10.com info@force-10.com
 BOX 1257, ST. JOHN, U.S.V.I. 00831
 TEL: 340-690-2175

PLAN: AZURE 2A
 3 BR/3 BA &
 4 BR/4 BA

