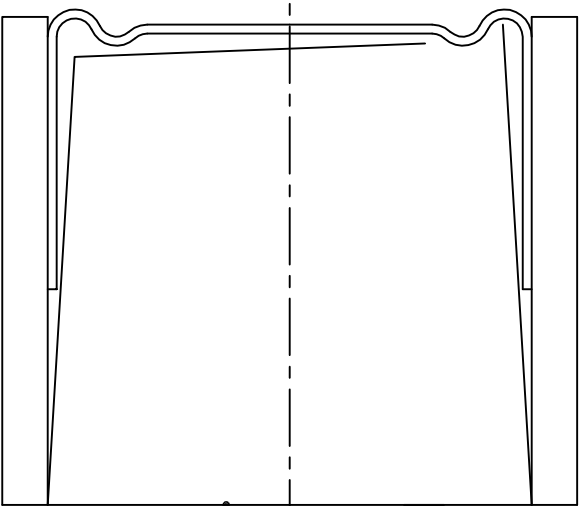


NOMINAL GRID SIZE

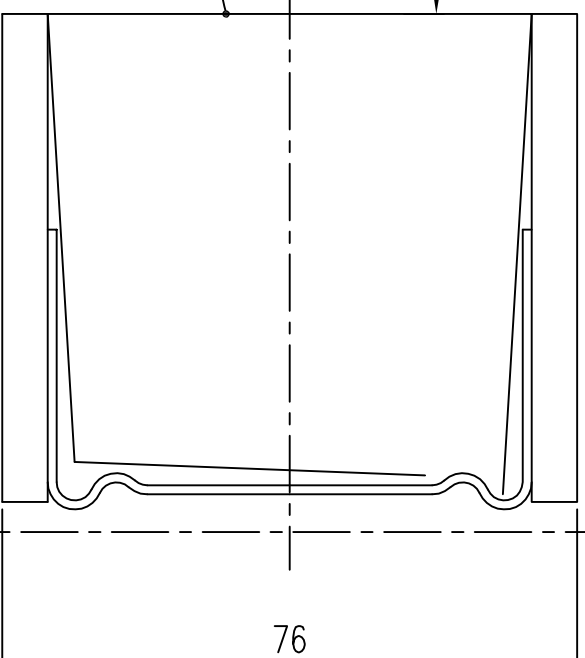
- A - 1000
- B - 962
- C - 924
- 45Ø - 1360

WINDOW OPENING SIZE

- A - 864
- B - 826

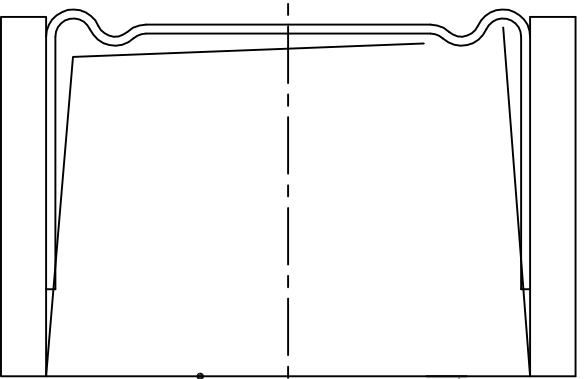


WINDOW OPENING SIZES FOR PANELS USING A & B PACKERS

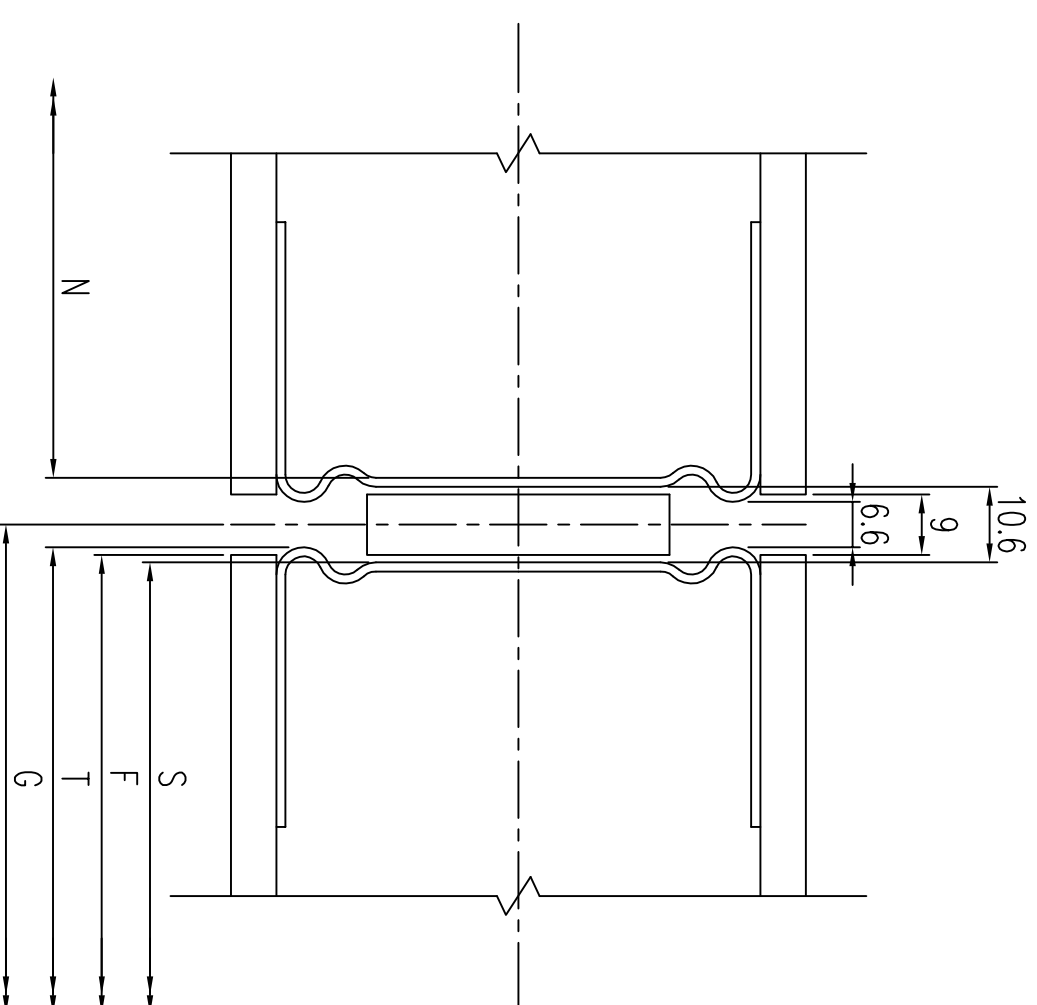
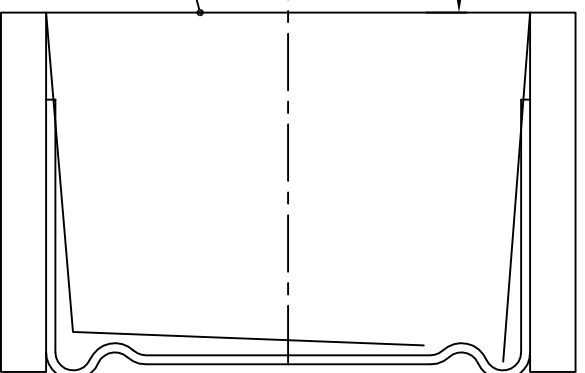


WINDOW OPENING SIZE

- C - 822
- 45Ø - 1258



WINDOW OPENING SIZE FOR PANEL USING C PACKERS



PANEL	A	B	C	45Ø
S	990	952	914	1350
F	992	954	916	1352
T	994	956	918	1354
N	987	949	911	1347
G	1000	962	924	1360

- S - OUTSIDE STEEL TO STEEL
- F - FIBRO WIDTH
- T - OUTSIDE TIP TO TIP
- N - NOG LENGTH TO FLATS
- G - NOMINAL GRID SIZE

TYPICAL PANEL TO PANEL CONNECTION DETAIL

# FORCED

"BUILDING SOLUTIONS FOR THE WORLD"  
QUALITY APPROVED TO AS/NZS ISO9001

FORCE 10 INTERNATIONAL PTY LTD

63 FACTORY ROAD, OXLEY  
QUEENSLAND, AUSTRALIA 4075  
PH. +61 7 33795200 FX. +61 7 33795211  
email: - reception@force10.com.au

THE FORCE 10 ENGINEERED BUILDING SYSTEM IS PROTECTED BY WORLD-  
WIDE PATENTS. THIS DRAWING MAY NOT BE COPIED OR REPRODUCED  
IN PART OR WHOLE WITHOUT WRITTEN CONSENT FROM FORCE 10.

REV	BY	DATE	REV	BY	DATE
2	KDA	-			
1	KDA	-			

DRAWN BY :	KDA
DATE :	01/03/94
CHECKED :	
A3 SCALE :	1 : 1

DETAIL DRAWING TITLE :  
**PANEL DETAILS  
SHEET FOUR**

DETAIL DRAWING NUMBER : **DT 005**  
REVISION : **2**