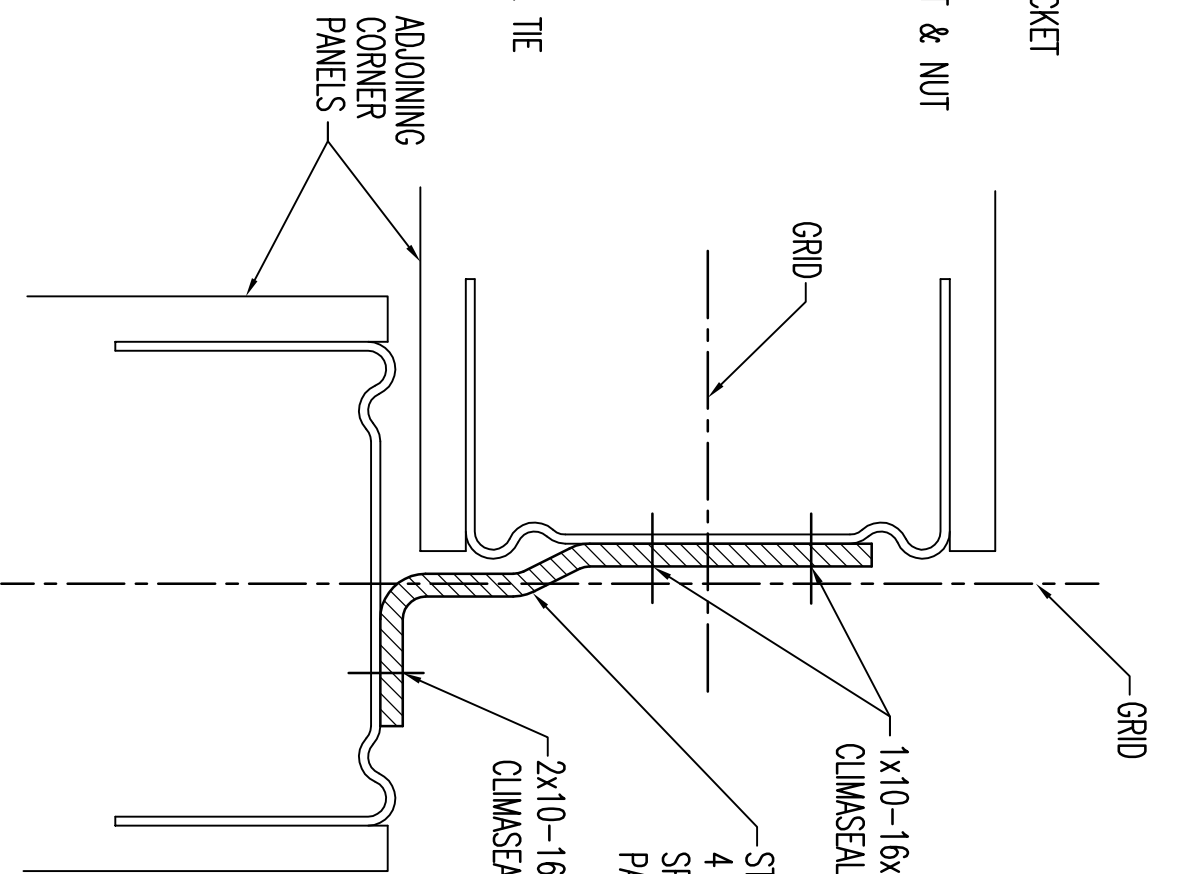
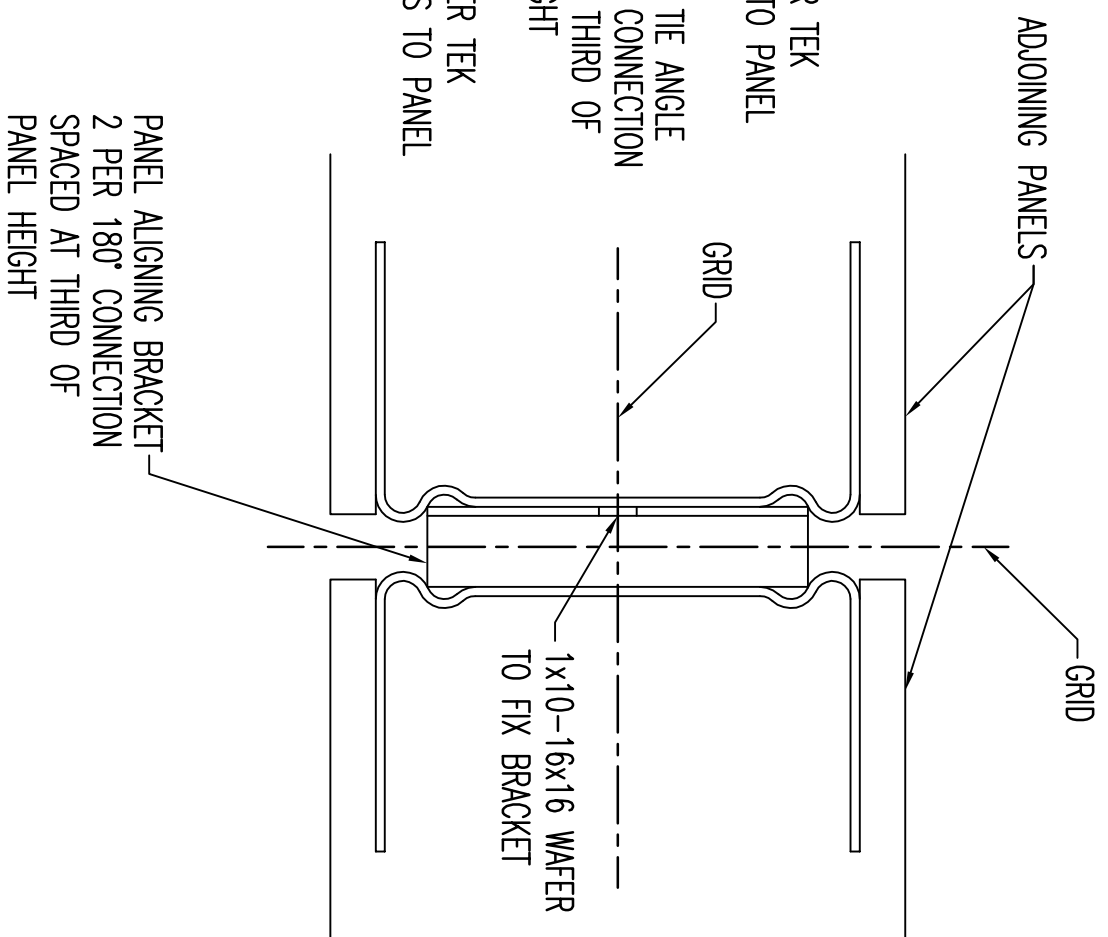


PANEL JUNCTION DETAIL



STRUCTURAL TIE DETAIL



PANEL ALIGNING BRACKET DETAIL

SIGNATURE OF CERTIFYING
STRUCTURAL ENGINEER :-
.....

FORCE 10 INTERNATIONAL PTY LTD
63 FACTORY ROAD, OXLEY
QUEENSLAND, AUSTRALIA 4075
PH. +61 7 33795200 FX. +61 7 33795211
email:- reception@force10.com.au

REV	BY	DATE	REV	BY	DATE
2	KDA	-			
1	KDA	-			

DRAWN BY : KDA
DATE : 25 / 03 / 98
CHECKED :
A3 SCALE : 1 : 1

DETAIL DRAWING TITLE :
PANEL DETAILS
SHEET SIX
DETAIL DRAWING NUMBER : DT 007

REVISION : 2