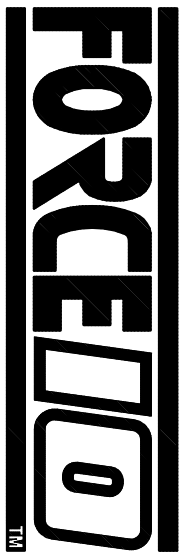


"BUILDING SOLUTIONS FOR THE WORLD"
 QUALITY APPROVED TO AS/NZS ISO9001



FORCE 10 INTERNATIONAL PTY LTD
 63 FACTORY ROAD, OXLEY
 QUEENSLAND, AUSTRALIA 4075
 PH: +61 7 33795200 FX: +61 7 33795211
 email: - reception@force10.com.au

THE FORCE 10 ENGINEERED BUILDING SYSTEM IS PROTECTED BY WORLD-WIDE PATENTS. THIS DRAWING MAY NOT BE COPIED OR REPRODUCED IN PART OR WHOLE WITHOUT WRITTEN CONSENT FROM FORCE 10.

REV	BY	DATE	REV	BY	DATE
1	KDA	-			

A3	CHECKED	DATE	DRAWN BY
SCALE : 1 : 10	:	: 25/03/93	: KDA

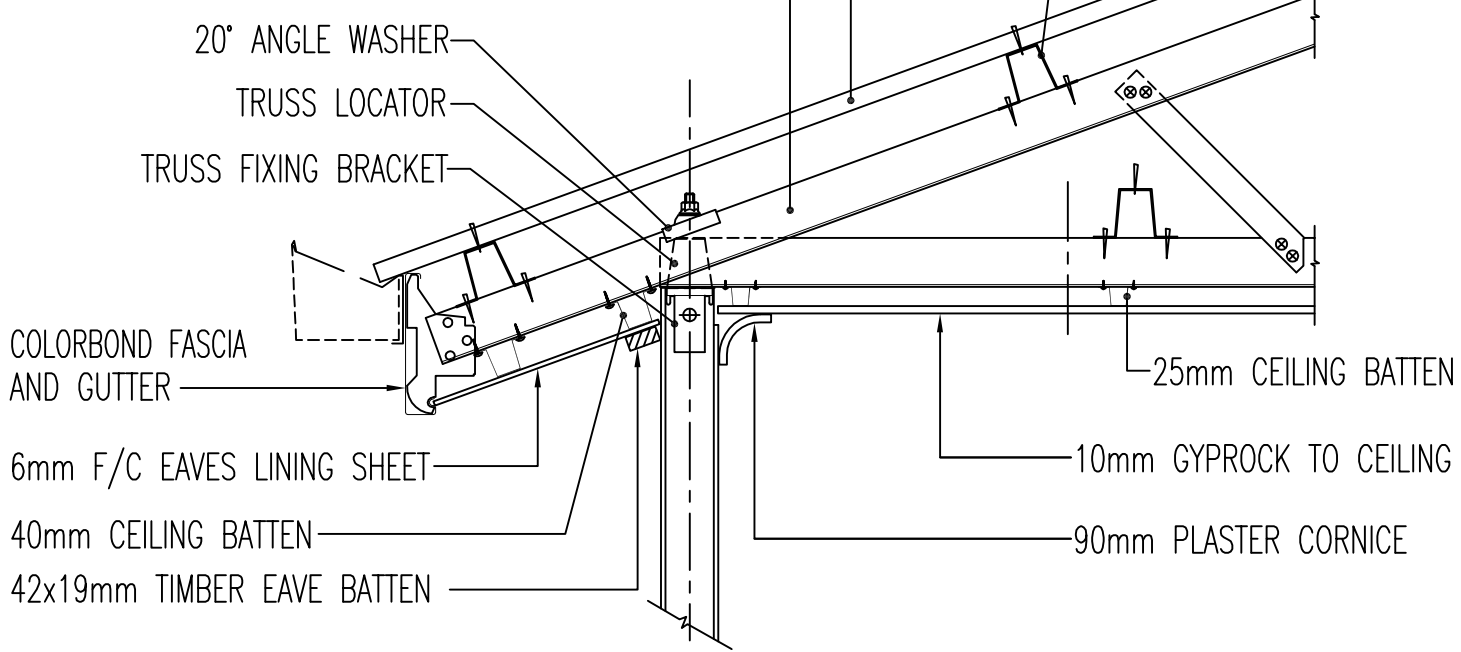
DETAIL DRAWING TITLE :
**TYPICAL SECTION
 DOUBLE STOREY ON STUMPS**

DETAIL DRAWING NUMBER : **DT 012**

REVISION : 1

ROOFING TO MANUFACTURERS SPECIFICATION
 FIXED TO TOP HAT PURLIN

STEEL FRAMED ROOF TRUSS TO MANUFACTURERS
 SPECIFICATIONS @ 20° PITCH (SEE DT008)



STEEL FRAMED PANEL
 6mm F/C SHEET BOTH SIDES
 POLYURETHANE FILLED CAVITY
 (SEE DT002 & DT003)

FLASHING TO WALL & FLOOR
 0.6mm STAINLESS STEEL

BEARER FLASHING
 0.8mm ZINCALUME

WALL "T" BRACKET

68x12mm BULLNOSE
 TIMBER SKIRTING

22mm PARTICLEBOARD
 or 18mm COMPRESSED

JOIST
 179x50 SECTION
 MATL 1.2mm G300 (UP TO 3m)
 MATL 1.6mm G450 (FOR 4m)

90mm PLASTER CORNICE

STEEL FRAMED PANEL
 6mm F/C SHEET BOTH SIDES
 POLYURETHANE FILLED CAVITY
 (SEE DT002 & DT003)

FLASHING TO WALL & FLOOR
 0.6mm STAINLESS STEEL

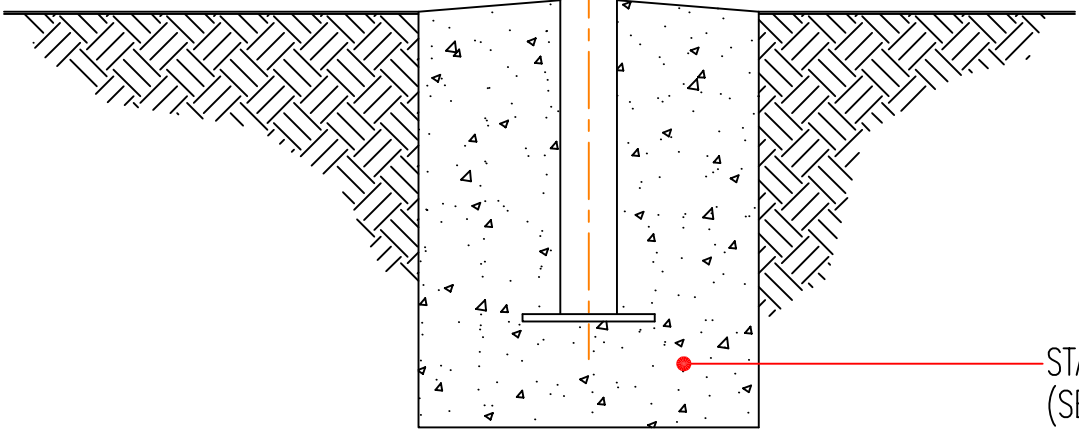
BEARER FLASHING
 0.8mm ZINCALUME

68x12mm BULLNOSE
 TIMBER SKIRTING

22mm PARTICLEBOARD
 or 18mm COMPRESSED

JOIST
 179x50 SECTION
 MATL 1.2mm G300 (UP TO 3m)
 MATL 1.6mm G450 (FOR 4m)

75x75x2.5 OR 5.0mm
 GALVANISED SHS



SIGNATURE OF CERTIFYING
 STRUCTURAL ENGINEER :-
