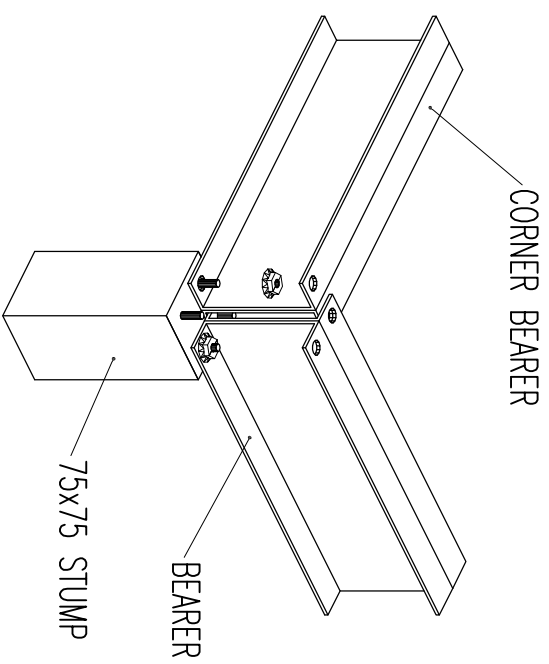
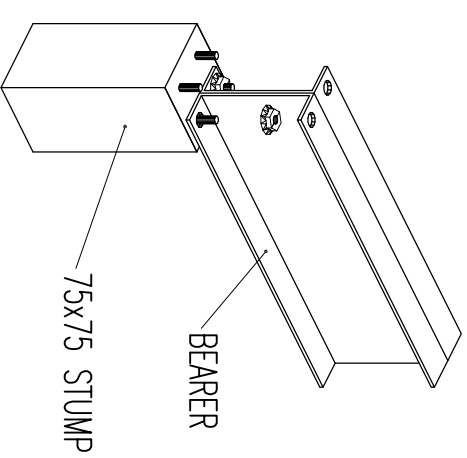


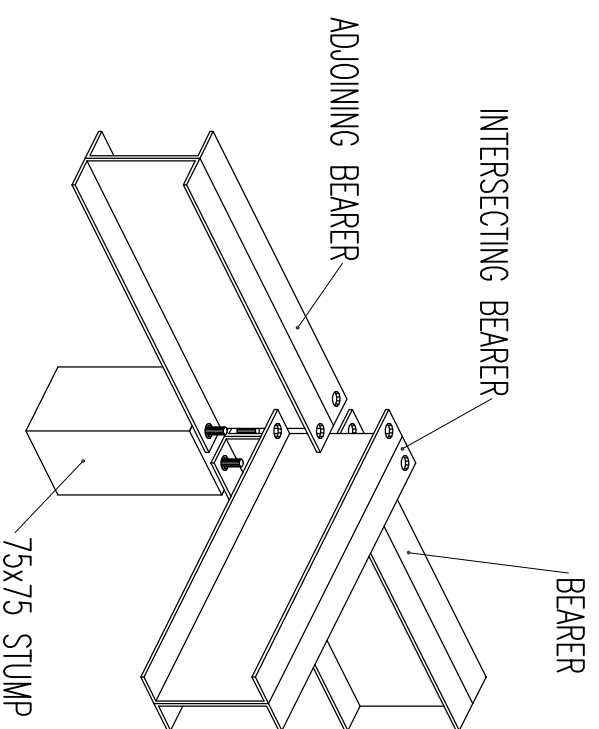
INTERSECTING BEARERS



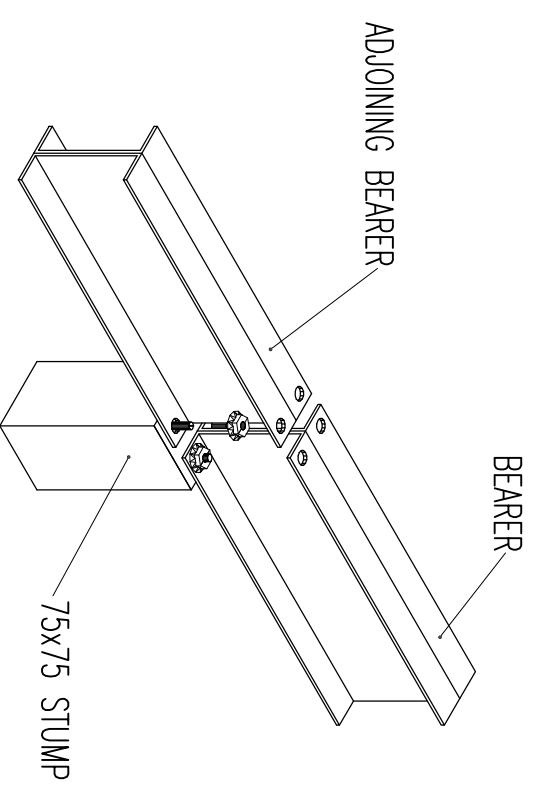
CORNER BEARERS



FIX BEARER



INTERSECTING BEARERS



ADJOINING BEARERS

SIGNATURE OF CERTIFYING
STRUCTURAL ENGINEER :-
.....

FORCE 10 INTERNATIONAL PTY LTD
63 FACTORY ROAD, OXLEY
QUEENSLAND, AUSTRALIA 4075
PH. +61 7 33795200 FX. +61 7 33795211
email:- reception@force10.com.au

THE FORCE 10 ENGINEERED BUILDING SYSTEM IS PROTECTED BY WORLD-
WIDE PATENTS. THIS DRAWING MAY NOT BE COPIED OR REPRODUCED
IN PART OR WHOLE WITHOUT WRITTEN CONSENT FROM FORCE 10.

REV	BY	DATE	REV	BY	DATE
2	KDA	-			
1	KDA	-			

DRAWN BY :	KDA
DATE :	06/06/00
CHECKED :	
A3 SCALE :	N.T.S.

DETAIL DRAWING TITLE :
**BEARER CONNECTION
DETAILS**

DETAIL DRAWING NUMBER : DT 020

REVISION : 2